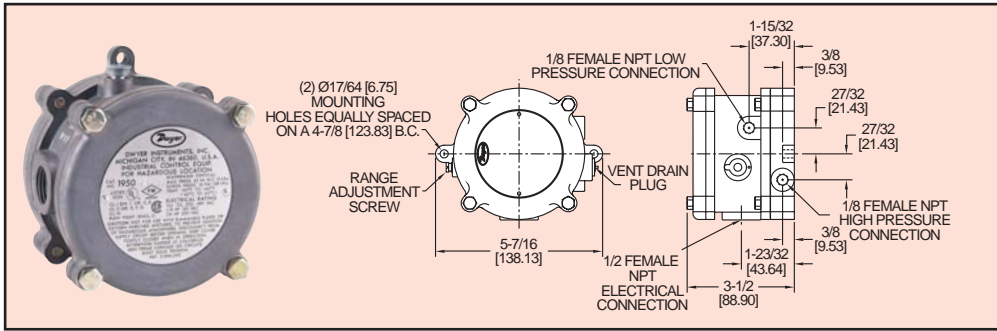




Series
1950

Explosion-Proof Differential Pressure Switches

Compact, Low Cost, Explosion-proof and Weatherproof



Model 1950 Explosion-Proof Differential Pressure Switch combines the best features of the popular Dwyer series 1900 with an integral explosion-proof and weather-proof housing, making it an exceptional value for either application. It is CE, UL and CSA listed, FM approved for use in Class I, Div 1, Groups C and D, Class II Groups E, F, and G and Class III hazardous atmospheres (NEMA 7 & 9), Raintight (NEMA 3). Weather-proof features include a drain plug and O-ring seal in cover. Electrical connections are easily made by removing front cover. For convenience the set point adjustment screw is located on the outside of the housing. Twelve models offer set points from .03 to 20" w.c. (7.5 kPa to 5 kPa) and from .5 to 50 psi (0.035 to 3.5 bar). The unit is very light and compact – about half the weight and bulk of other explosion-proof or weather-proof switches with separate enclosures.

SPECIFICATIONS

Service: Air and non-combustible, compatible gases.

Wetted Materials: Consult Factory.

Temperature Limits: -40 to 140°F (-40 to 60°C); 0 to 140°F (-17.8 to 60°C) for 1950P-8, 15, 25, and 50. -30 to 130°F (-34.4 to 54.4°C) for 1950-02.

Pressure Limits:

Continuous: 1950's - 45" w.c. (0.11 bar); 1950P's - 35 psi (2.41 bar); 1950P-50 only - 70 psi (4.83 bar).

Surge: 1950's - 10 psi (0.69 bar), 1950P's - 50 psi (3.45 bar), 1950P-50 only - 90 psi (6.21 bar).

Enclosure Rating: IP64, NEMA 3, 7 and 9.

Switch Type: Single-pole double-throw (SPDT).

Electrical Rating: 15 A @ 125, 250, 480 VAC, 60 Hz. Resistive 1/8 HP @ 125 VAC, 1/4 HP @ 250 VAC, 60 Hz.

Electrical Connections: 3 screw type, common, normally open and normally closed.

Process Connections: 1/8" female NPT.

Mounting Orientation: Diaphragm in vertical position. Consult factory for other position orientations.

Set Point Adjustment: Screw type on top of housing.

Weight: 3.25 lb (1.5 kg); 1950-02 model, 4.4 lb (2 kg).

Agency Approvals: CE, UL, CSA, FM.

SERIES 1950 SWITCHES - STOCKED MODELS, OPERATING RANGES AND DEAD BANDS

Model Number	Range, Inches W.C.	Approximate Dead Band at	
		Min. Set Point	Max. Set Point
1950-02	.03 to .10	.025	.05
1950-00	.07 to .15	.04	.05
1950-0	.15 to .50	.10	.15
1950-1	.4 to 1.6	.15	.20
1950-5	1.4 to 5.5	.30	.40
1950-10	3 to 11	.40	.50
1950-20	4 to 20	.40	.60

Model* Number	Range, PSID	Approximate Dead Band at	
		Min. Set Point	Max. Set Point
1950P-2	0.5 to 2	.3	.3
1950P-8	1.5 to 8	1.0	1.0
1950P-15	3 to 15	.9	.9
1950P-25	4 to 25	.7	.7
1950P-50	15 to 50	1.0	1.5

CAUTION: For use only with air or compatible gases. Applications with hazardous atmospheres and a single positive pressure may require special venting.

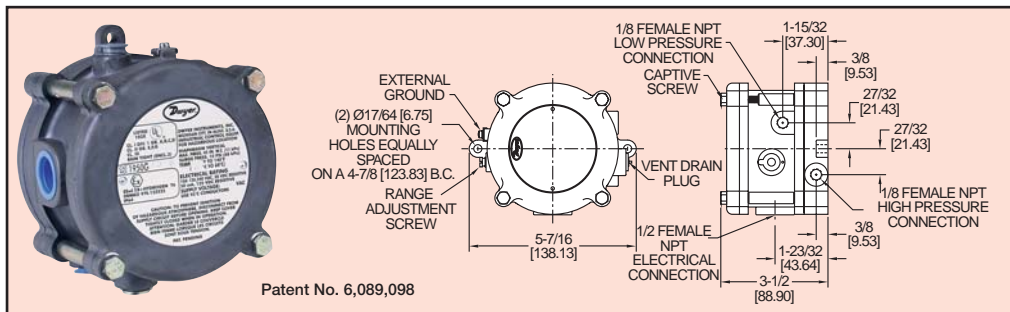
*P=PSID range models



Series
1950G

Explosion-Proof Differential Pressure Switch

Explosion-Proof, Weatherproof, Compatible with Natural Gases



Patent No. 6,089,098

The Model 1950G Explosion-Proof Switch combines the best features of the popular Dwyer Series 1950 Pressure Switch with the benefit of natural gas compatibility. Units are rain-tight for outdoor installations, and are UL listed for use in Class I, Groups A, B, C, & D; Class II, Groups E, F, & G and Class III atmospheres, ATEX (approval pending) for EExd IIB & Hydrogen T6, and CSA & FM approved for Class I, Div 1, Groups B, C, D; Class II, Div 1, Groups E, F, G and Class III atmospheres. The 1950G is very compact, about half the weight and bulk of equivalent conventional explosion-proof switches.

Easy access to the SPDT relay and power supply terminals is provided by removing the top plate of the aluminum housing. A supply voltage of 24 VDC, 120 or 240 VAC is required. A captive screw allows the cover to swing aside while remaining attached to the unit. Adjustment to the set point of the switch can be made without disassembly of the housing.

SPECIFICATIONS

Service: Air and compatible combustible gases.

Wetted Materials: Contact Factory.

Temperature Limits: 0 to 140°F (18 to 60°C).

Note: Set point drift may occur with ambient temperature changes.

Pressure Limits: 45" w.c. (11.2 kPa) continuous; 10 psig (68.95 kPa) surge.

Enclosure Rating: IP64, NEMA 3, 7 and 9.

Switch Type: 1 Form C relay (SPDT).

Electrical Rating: 10A, 120/240 VAC, 28 VDC.

Resistive 50mA, 125 VDC.

Power Requirements: 24 VDC ±10%. 120 or 240 VAC ±10% optional.

Electrical Connections: Internal Terminal Block.

Process Connections: 1/8" female NPT.

Mounting Orientation: Diaphragm in vertical position. Consult factory for other position orientations.

Set Point Adjustment: Screw type on top of housing.

Weight: 2 lb, 15.7 oz (1.35 kg).

Agency Approvals: CE, UL, CSA, FM, ATEX pending.

STOCKED MODELS*

Model Number ¹	Range, Inches W.C.	Approximate Dead Band at	
		Min. Set Point	Max. Set Point
1950G-00-B-24	.07 to .15	.04	.06
1950G-0-B-24	.15 to .50	.06	.11
1950G-1-B-24	.4 to 1.6	.11	.29
1950G-5-B-24	1.4 to 5.5	.4	.9
1950G-10-B-24	3 to 11	.9	1.8
1950G-20-B-24	4 to 20	1.2	3.0

¹Note: For alternate supply voltages change 24 to 120 or 240. Example: 1950G-00-B-12²⁴ 24 VDC and 120 VAC models are stocked.